

RF-300FA (TORQUE UP TYPE)



Precious metal-brush motors

OUTPUT : 0.02W~1.8W (APPROX)

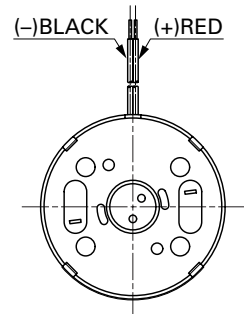
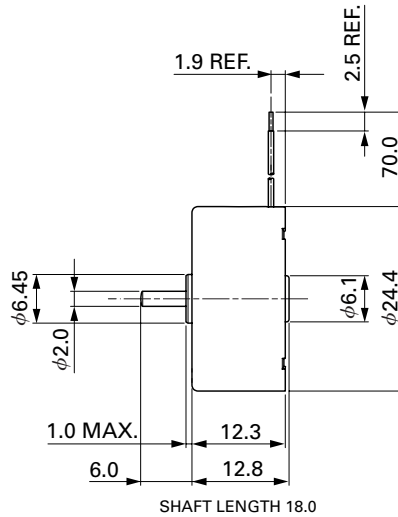
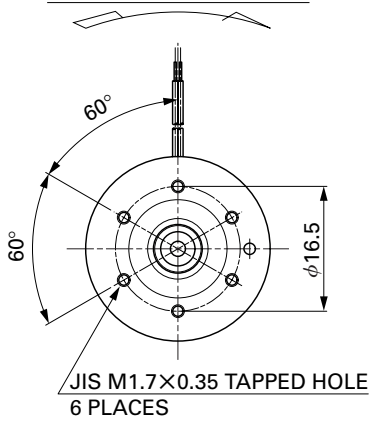
WEIGHT : 22g (APPROX)

Typical Applications Office Automation Equipment : CD/DVD-ROM Drive

MODEL	VOLTAGE		NO LOAD		AT MAXIMUM EFFICIENCY				STALL			
	OPERATING RANGE	NOMINAL	SPEED r/min	CURRENT A	SPEED r/min	CURRENT A	TORQUE mN-m	TORQUE g-cm	OUTPUT W	TORQUE mN-m	TORQUE g-cm	CURRENT A
RF-300FA-11420	1.7~6.0	3V CONSTANT	2900	0.017	2320	0.068	0.42	4.3	0.10	2.11	22	0.27
RF-300FA-12350	1.5~6.0	3V CONSTANT	3500	0.022	2830	0.093	0.48	4.9	0.14	2.51	26	0.39

Also available with terminals (without leadwires).

DIRECTION OF ROTATION

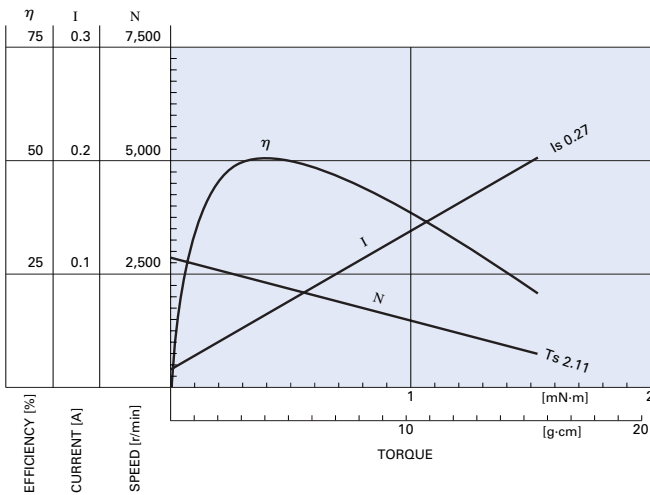


Usable machine screw length 1.1 max. from motor mounting surface.

UNIT: MILLIMETERS

RF-300FA-11420

3.0V



RF-300FA-12350

3.0V

